

BC Broncos Serpentine Belt Kit Install Diagram

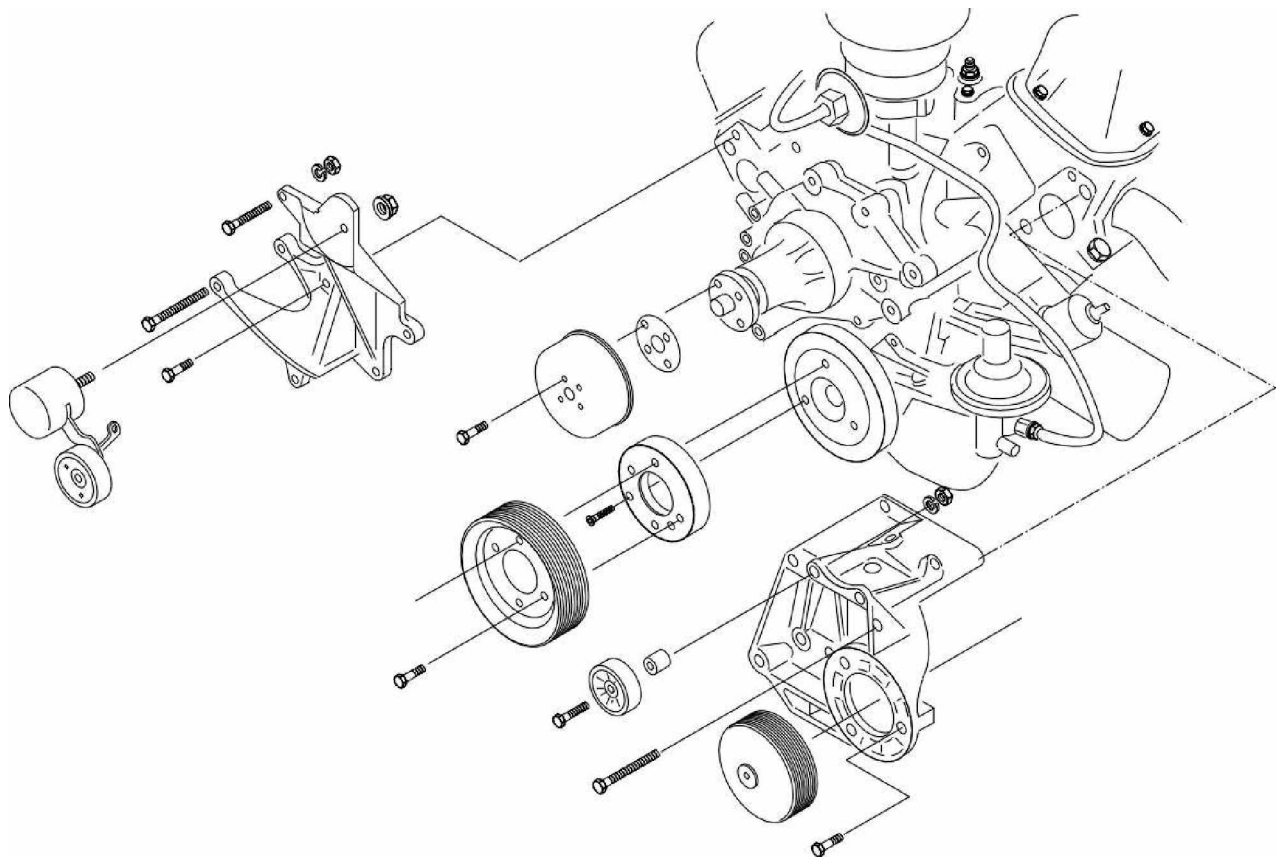


Figure 1. Overall Serpentine install

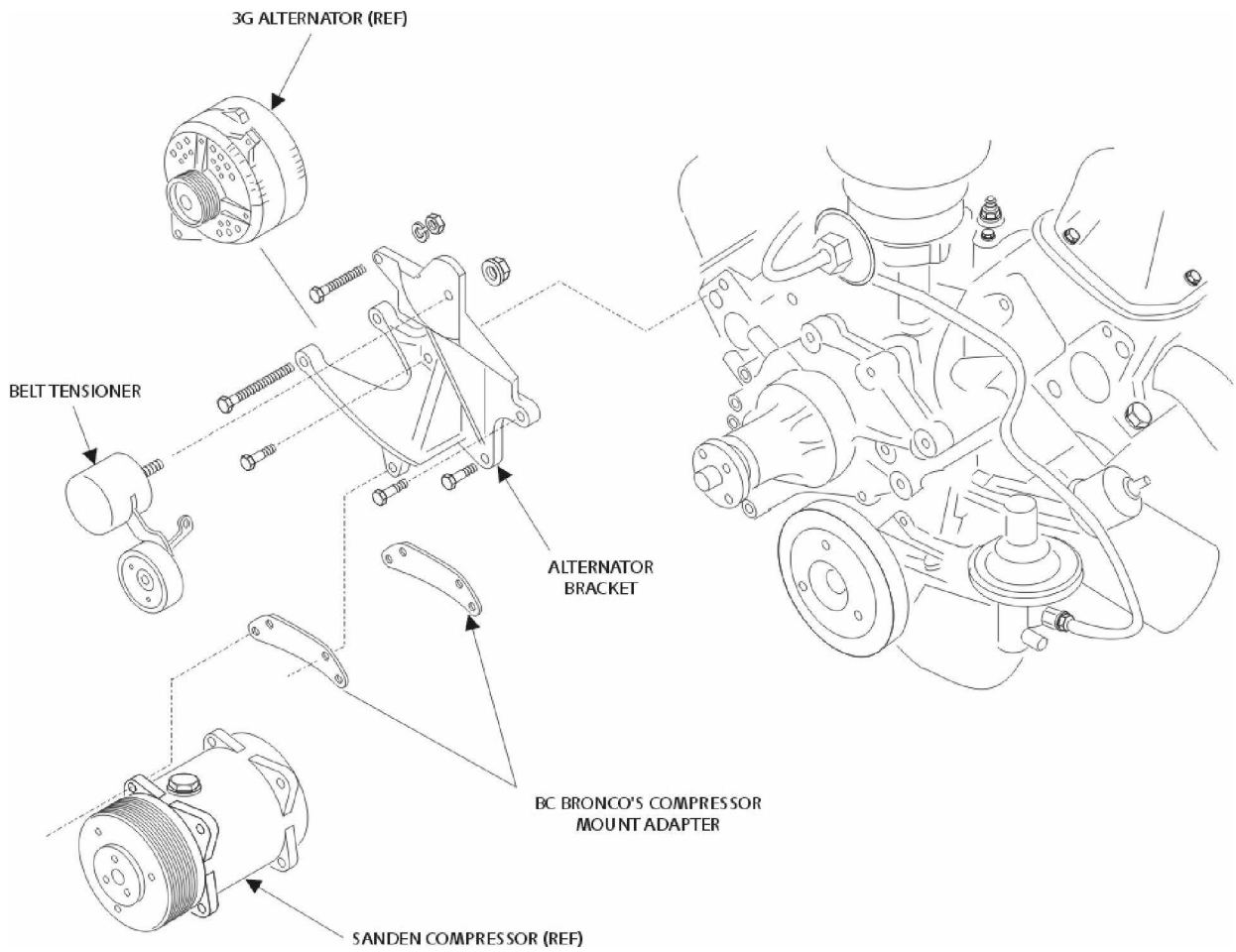


Figure 2. 3G alternator and alternate Sanden compressor location

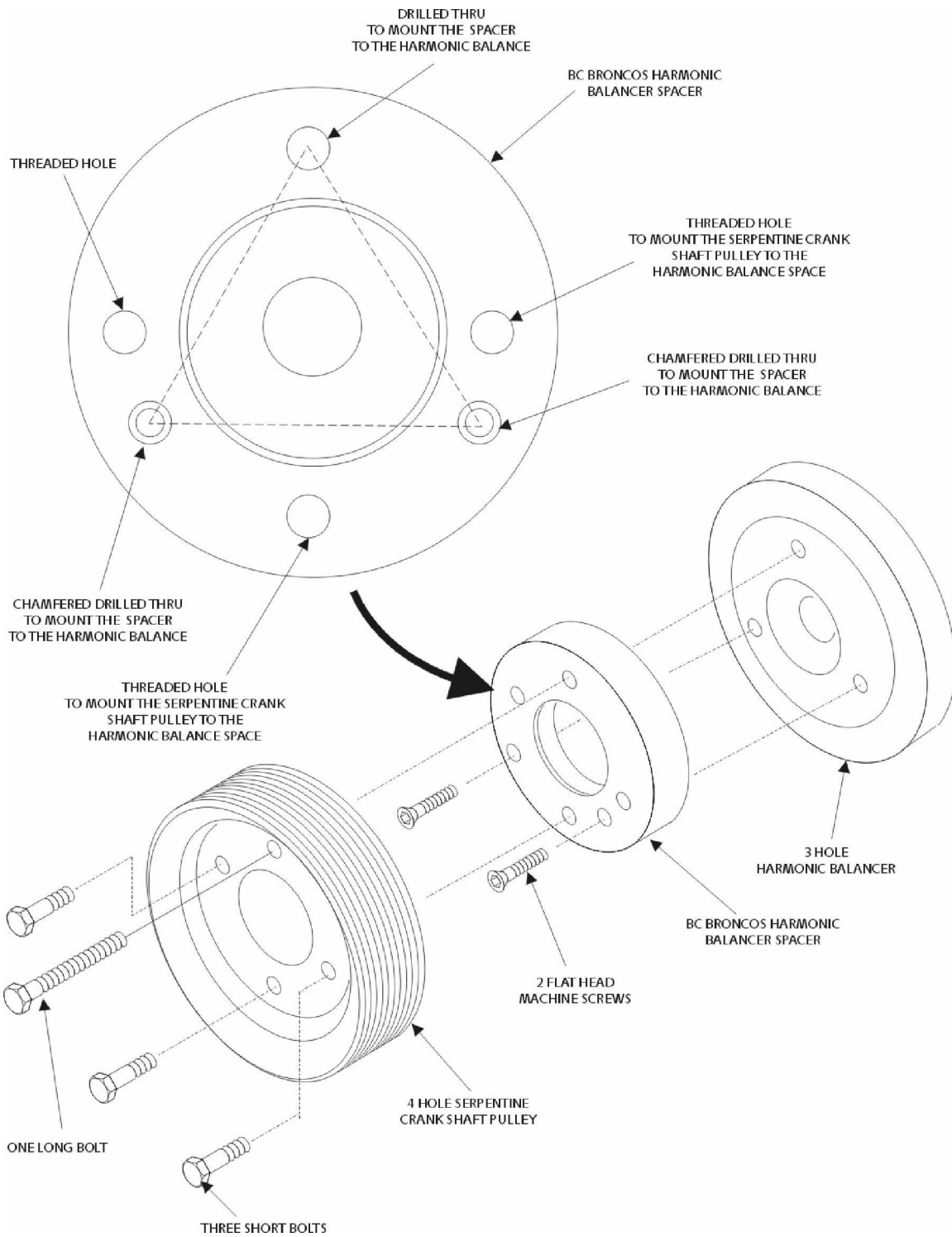


Figure 3. Harmonic balance spacer

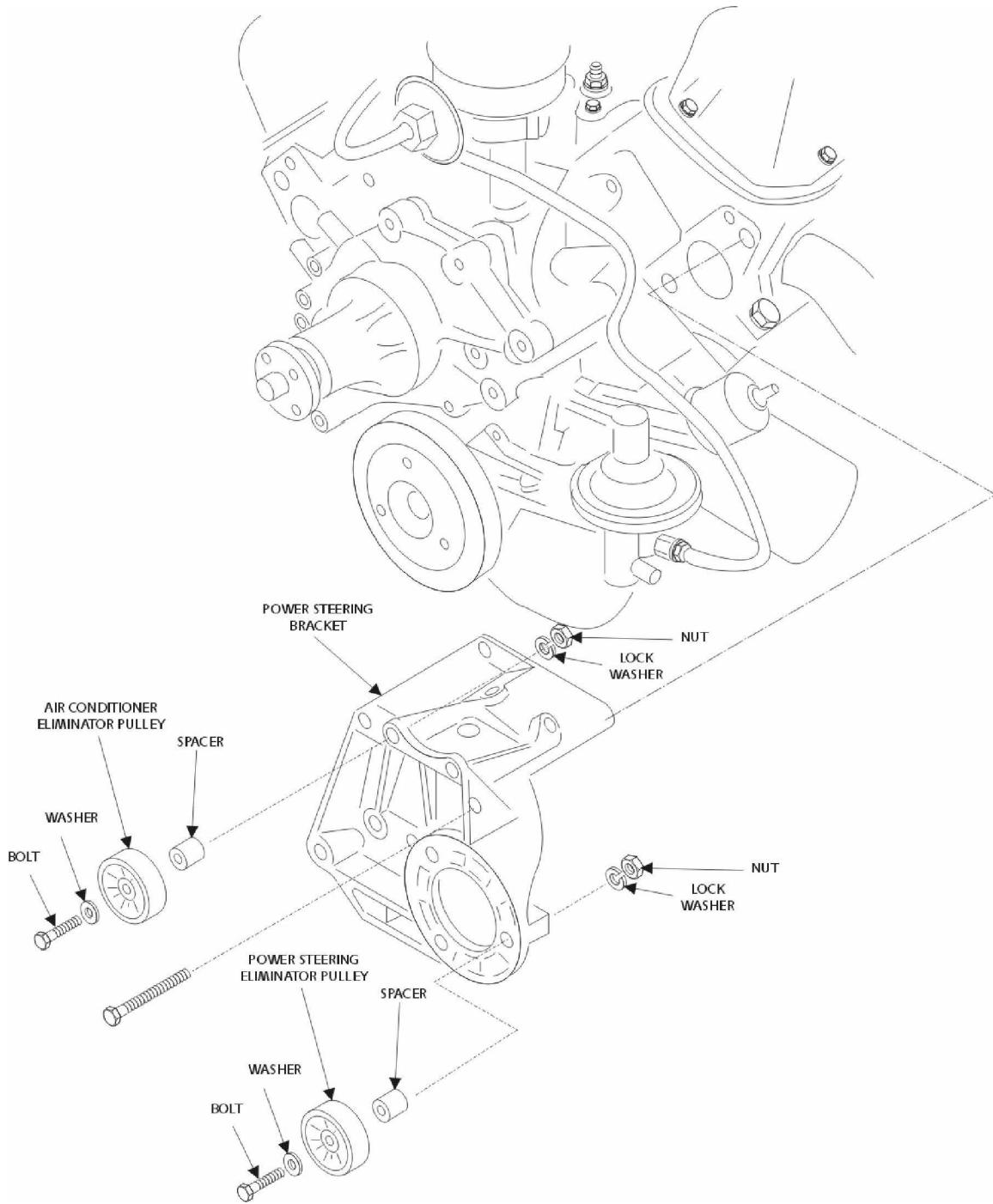


Figure 4. AC eliminator pulley and power steering eliminator pulley

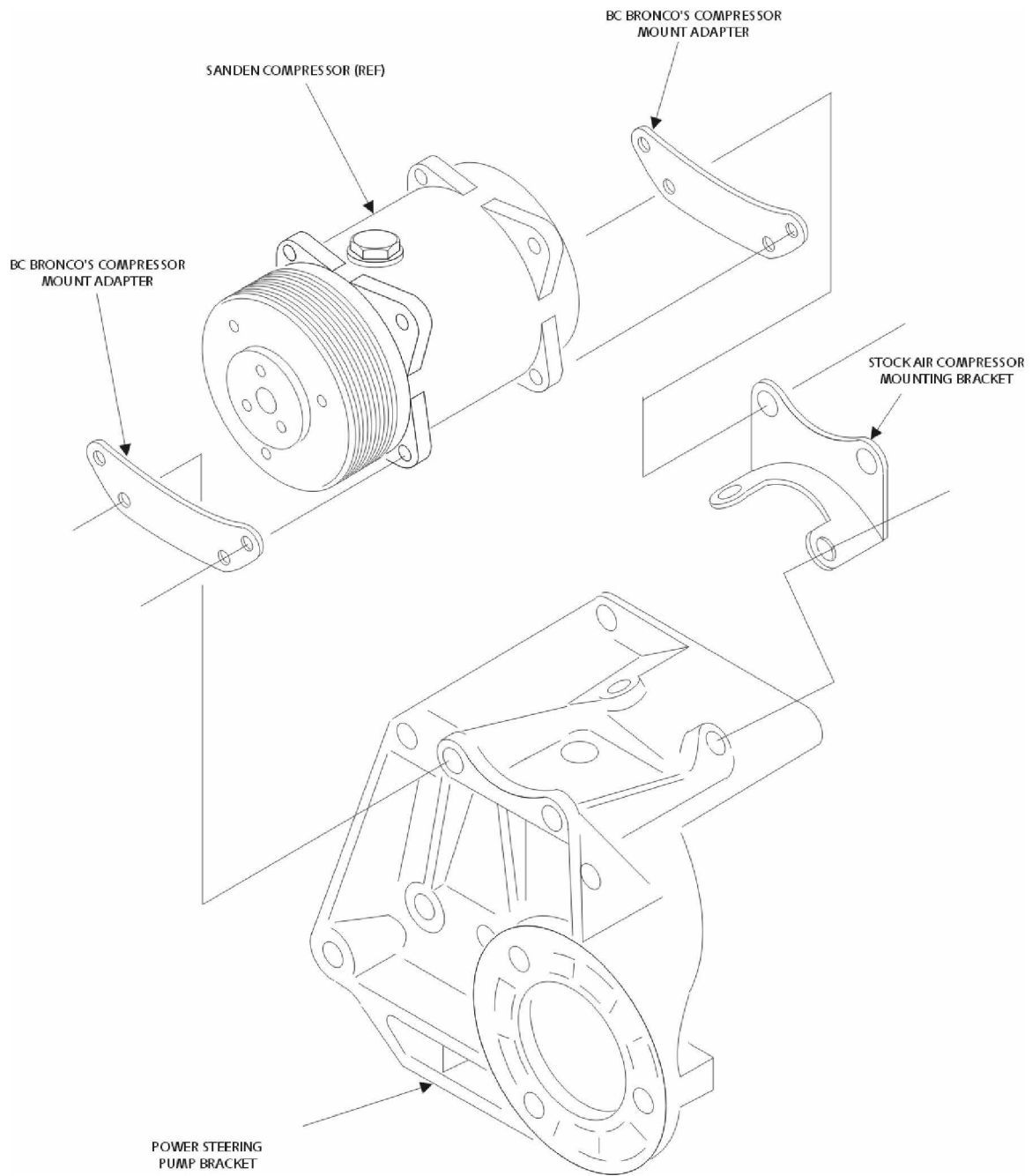


Figure 5. Sanden ac compressor on ps bracket