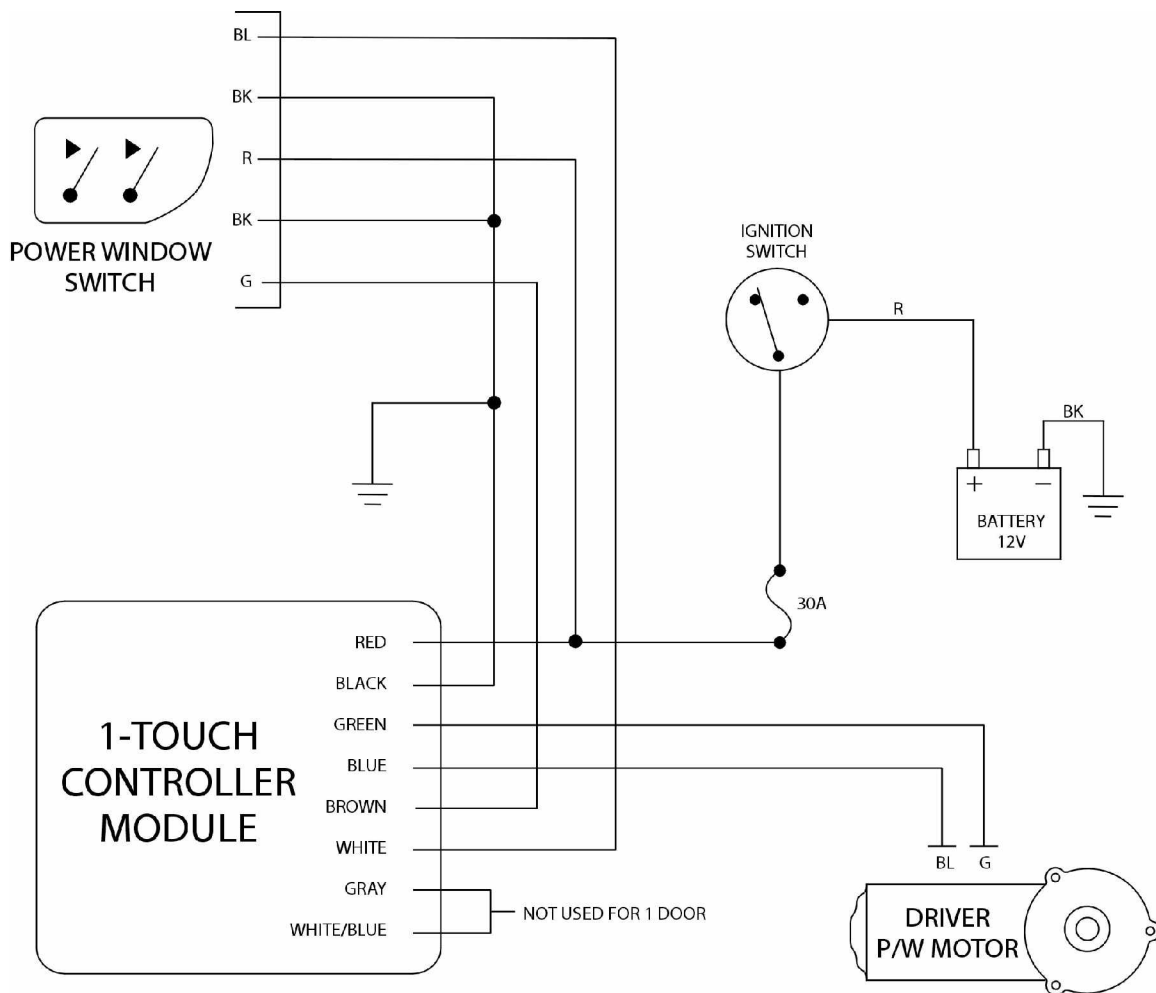


BC BRONCOS 1-TOUCH ELECTRIC WINDOW CONTROLLER



INSTALL THE 1-TOUCH CONTROLLER MODULE ONLY AFTER THE ELECTRIC WINDOW WIRING AND SWITCH HAS BEEN TESTED AND IS FUNCTIONING CORRECTLY.

If you have any questions or problems, please give us a call at B.C. Broncos at 888-304-2945 toll free.