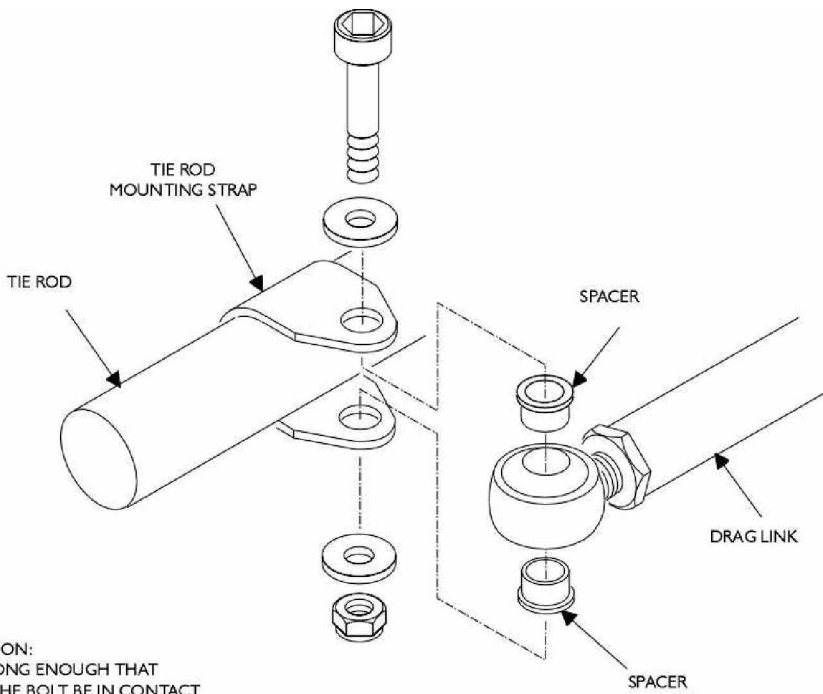
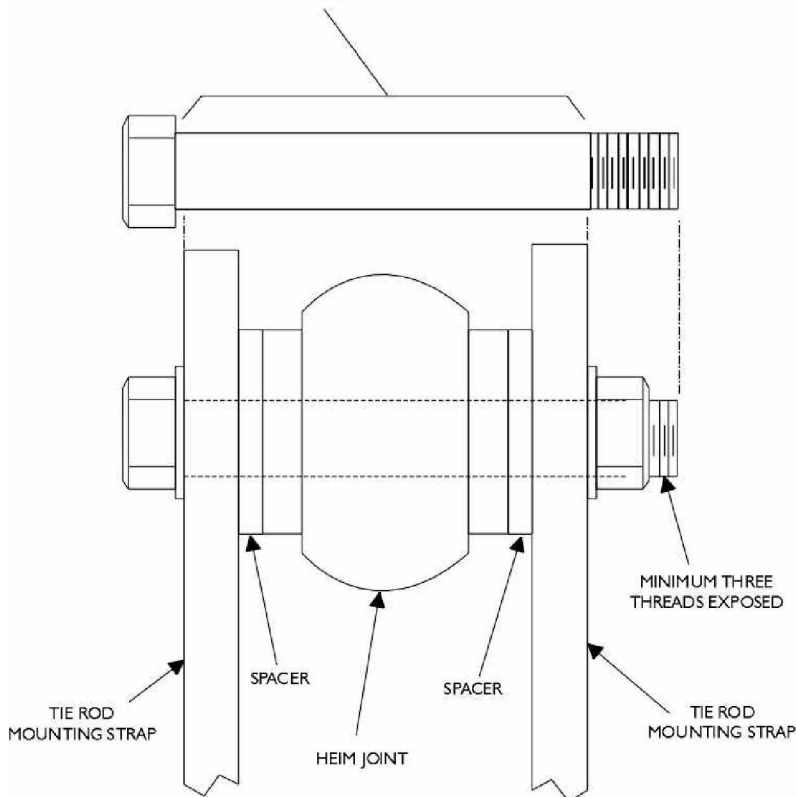
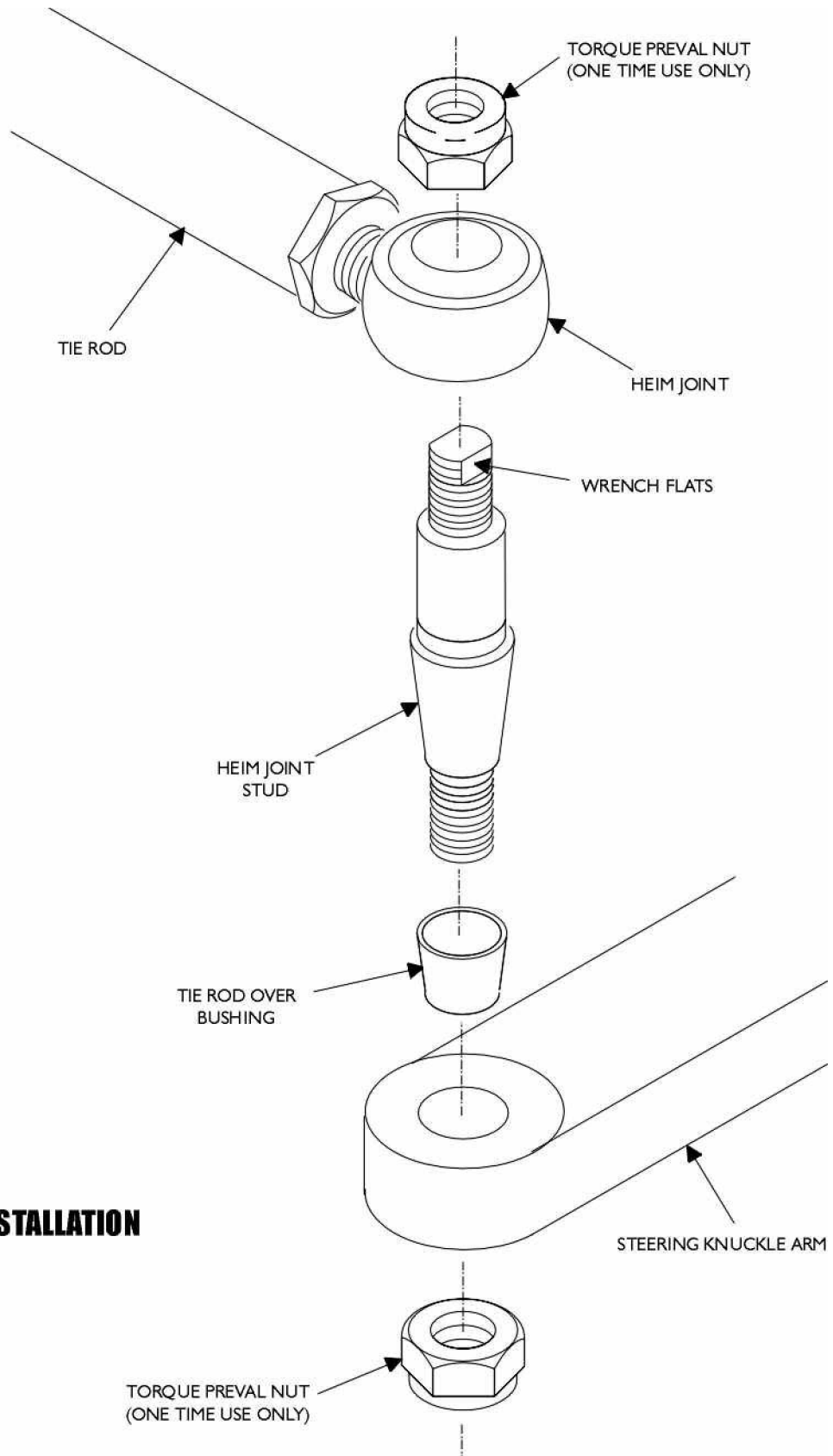


BC BRONCOS HEIM JOINT STEERING

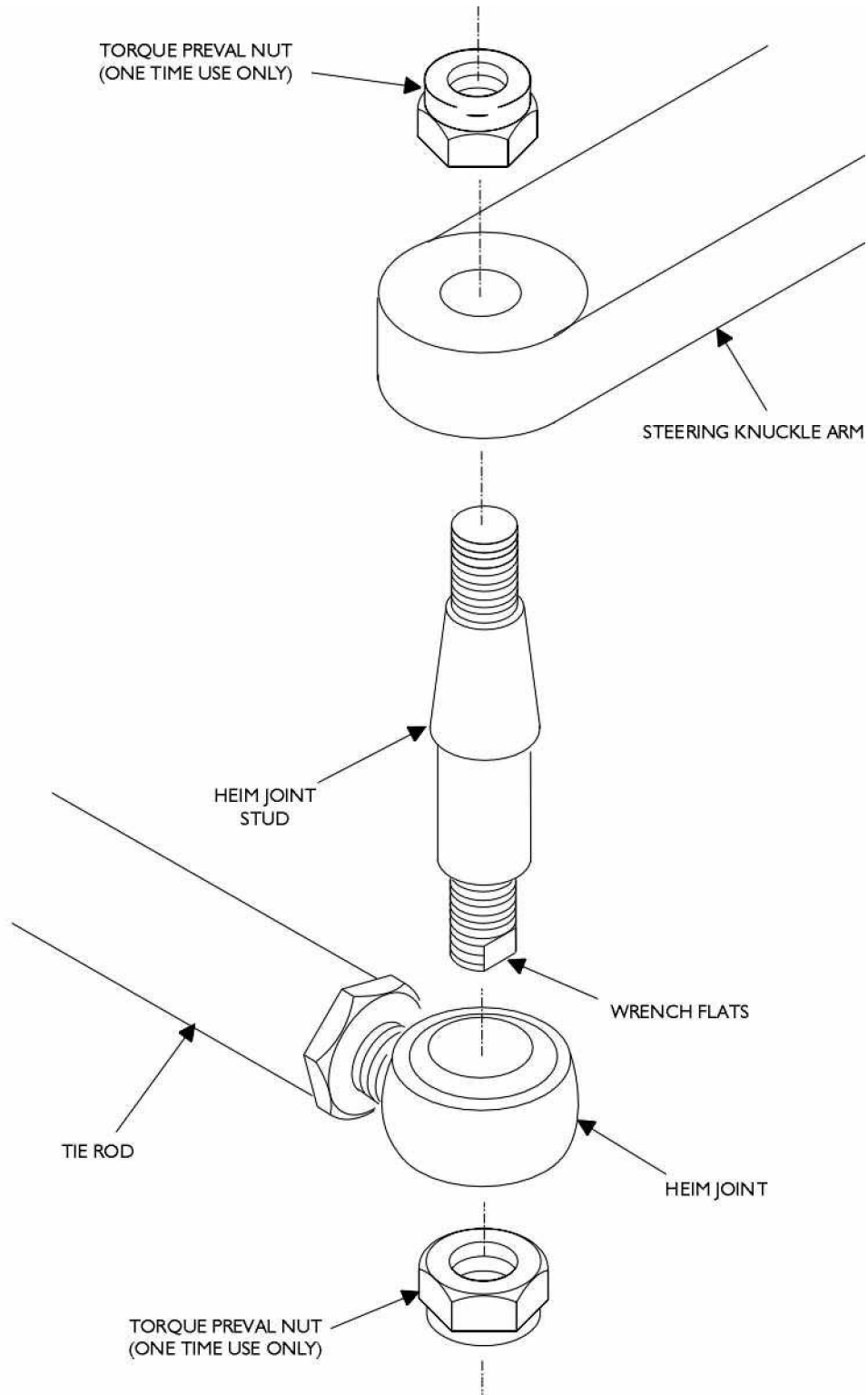


CAUTION:
THE BOLT MUST BE LONG ENOUGH THAT
ONLY THE SHOULDER OF THE BOLT BE IN CONTACT
WITH THE MOUNTING STRAP TABS.
THREADS CONTACTING THE MOUNTING TABS WILL GREATLY
EFFECT THE HOLDING POWER OF THE BOLT AND NUT AND THE
STABILITY OF THE HEIM JOINT





TIE ROD OVER INSTALLATION



TIE ROD UNDER INSTALLATION