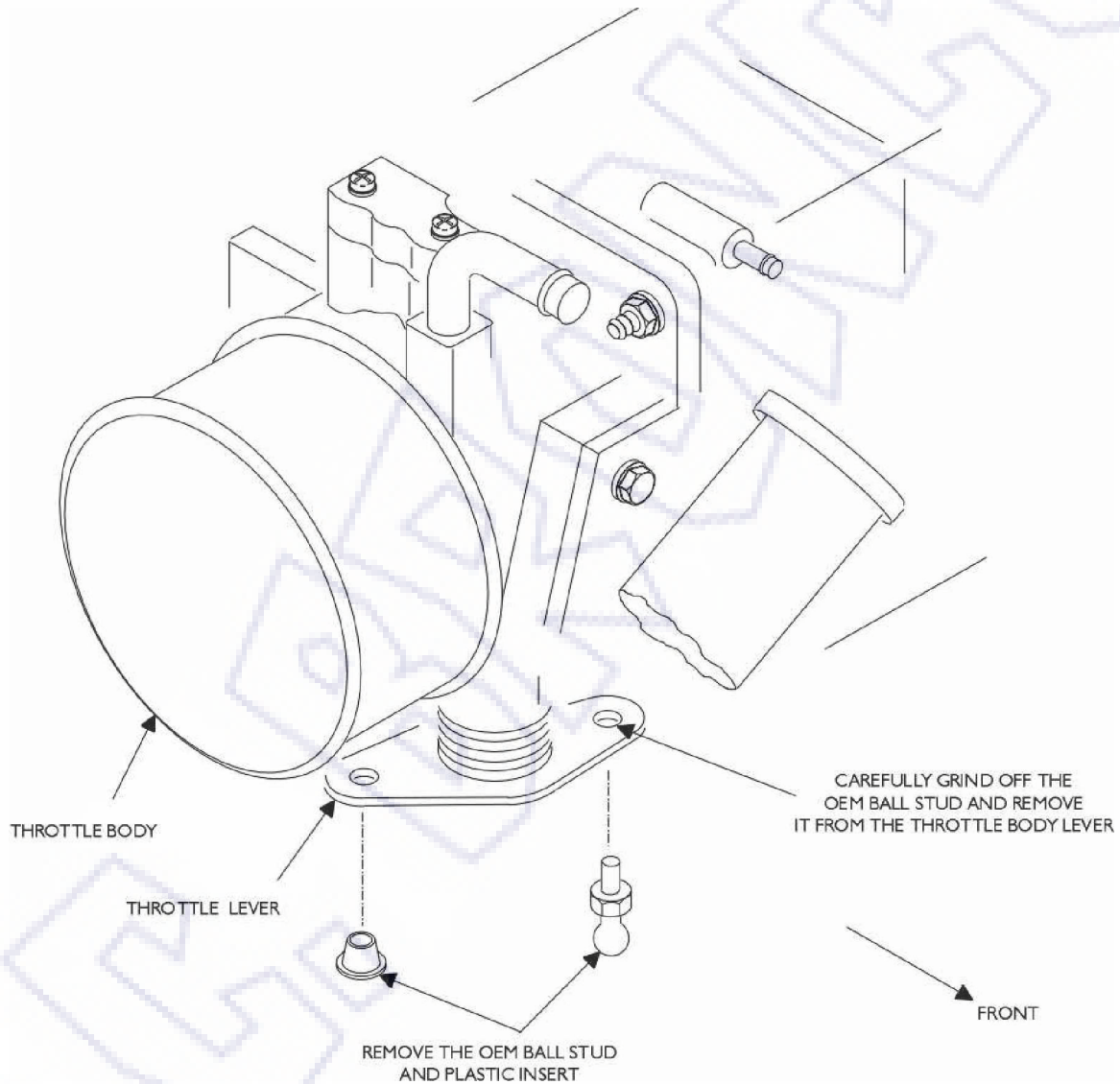


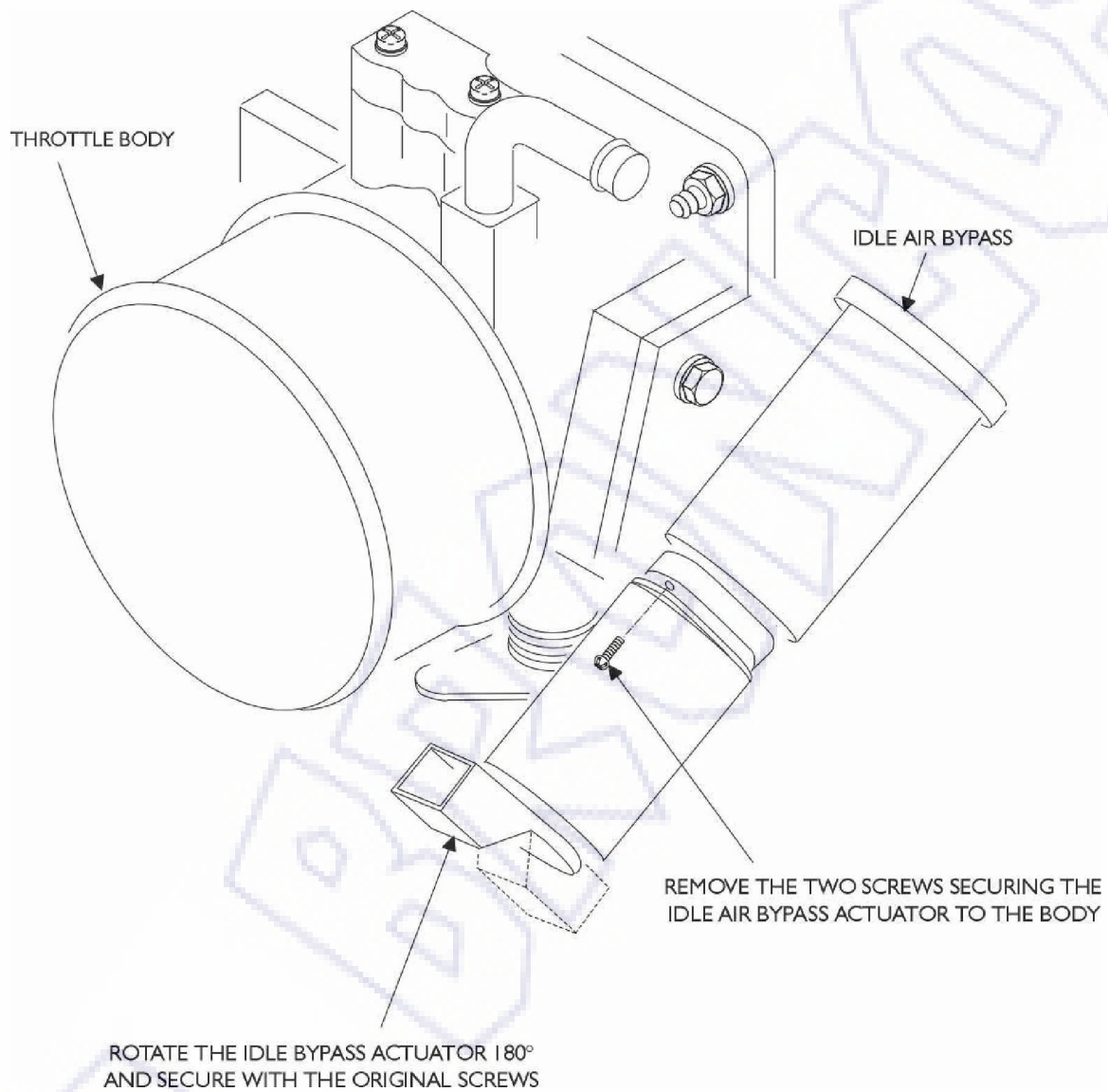
BC Broncos EFI Throttle Cable Kit

NOTE

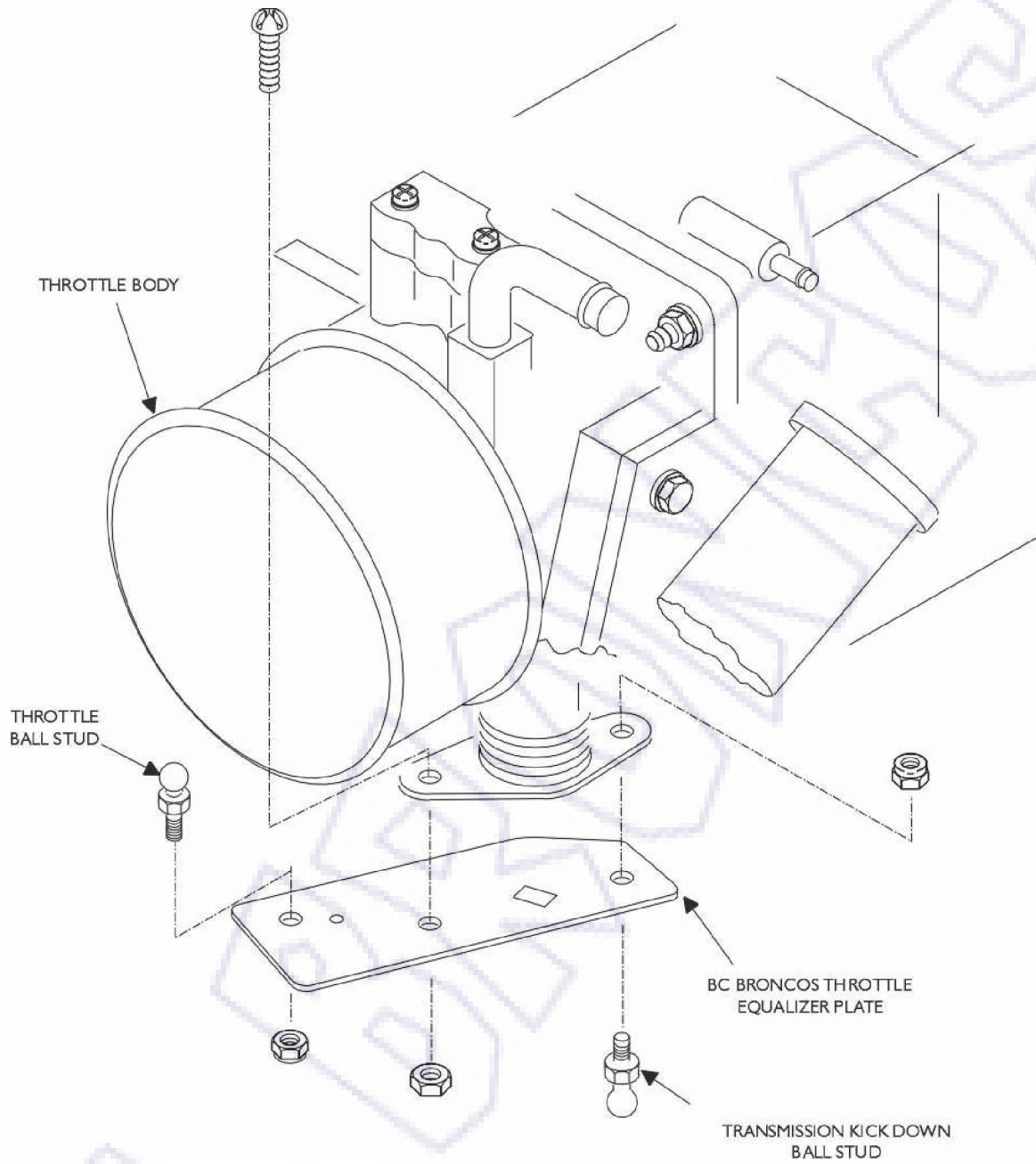
The BC Broncos efi throttle conversion kit is designed to be used only when the throttle body is mounted on the passenger side.



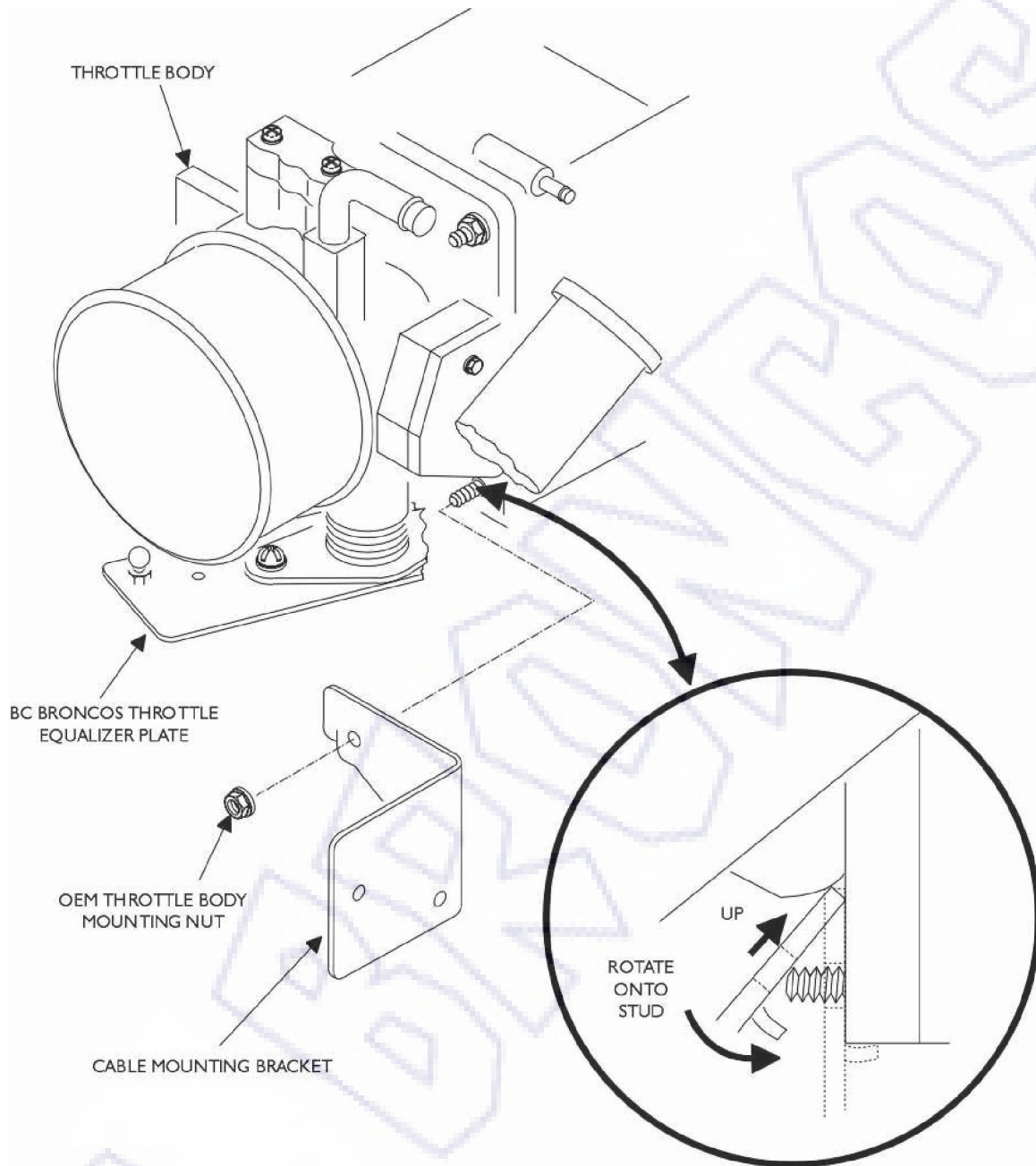
Step 1. Remove the OEM ball studs.



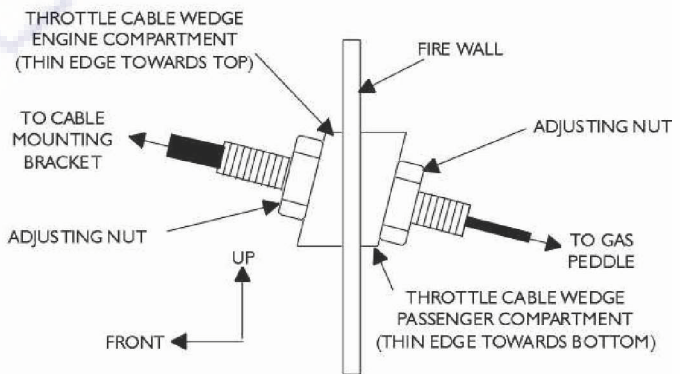
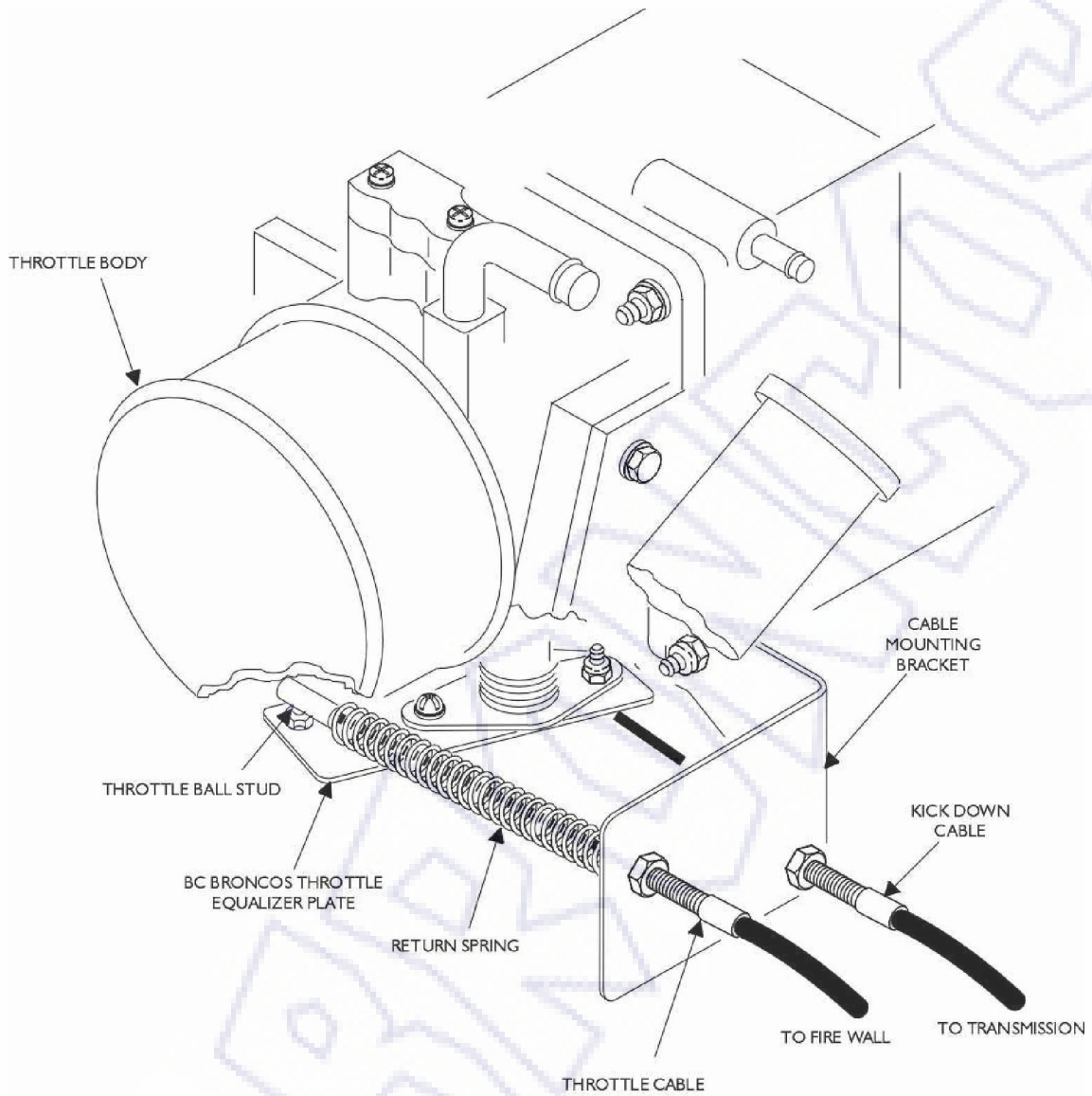
Step 2. Rotate the Idle Bypass actuator 180° so connector is up as shown.



Step 3. Mount the BC Broncos Throttle equalizer and ball studs as shown.



Step 3. Mount the BC Broncos cable mounting bracket.



NOTE: THE MOUNTING STUDS FOR THE ORIGINAL THROTTLE ROD BELLOWS MAY INTERFERE WITH MOUNTING THE THROTTLE CABLE WEDGES. REMOVE THE STUDS OR GRIND NECESSARY CLEARANCE ON THE THROTTLE CABLE WEDGES

Step 4. Mount the Throttle and Transmission Kick down cables and adjust as required.